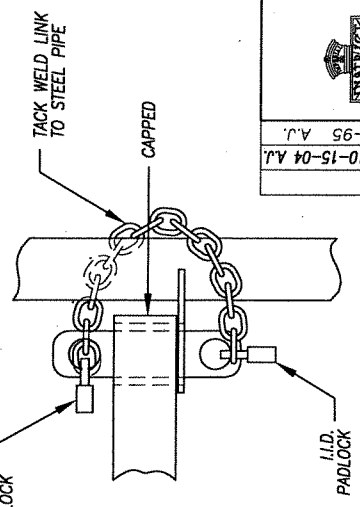


ACAD REV. 12 DK11-11S1089A

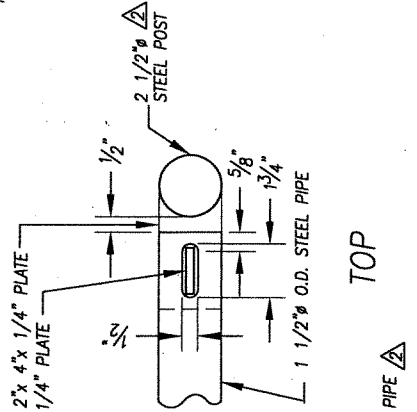
**TYPICAL SWING GATE**

SCALE: 3/4" = 1'-0"  
 \*NOTE: TOTAL 1 1/2" PIPE LENGTH 34'  
 TOTAL 2 1/2" PIPE LENGTH 12'

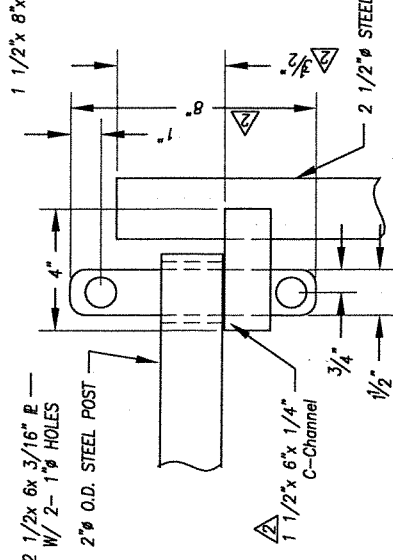


**LOCKING ASSEMBLY**

SCALE: 3" = 1'-0"



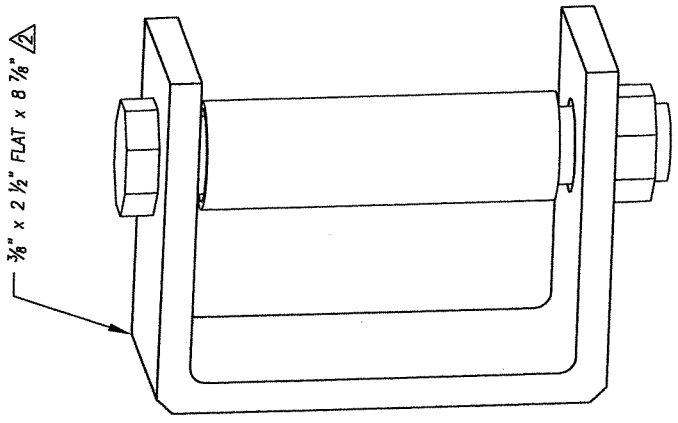
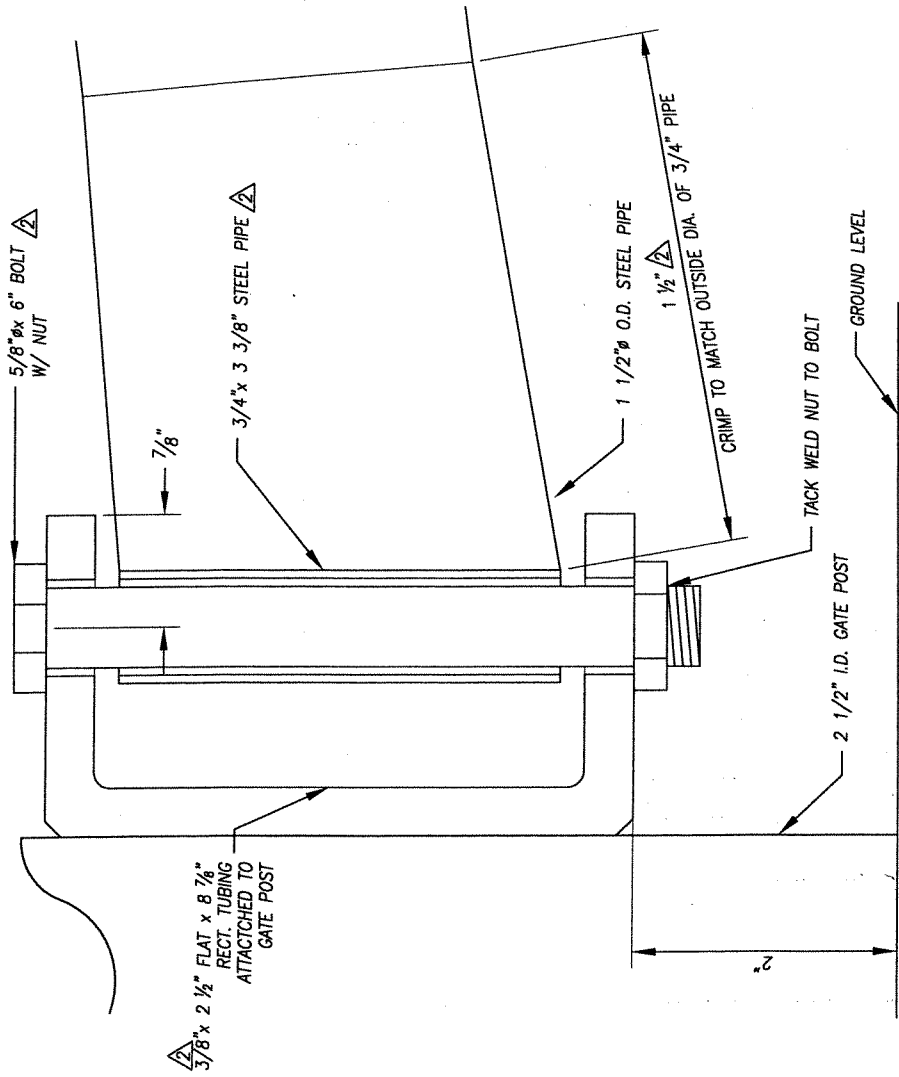
**TOP**



**FRONT LOCK DETAIL**

SCALE: 3" = 1'-0"

		SHEET 1 OF 2 IMPERIAL IRRIGATION DISTRICT IMPERIAL, CALIFORNIA WATER DEPARTMENT TYPICAL CANAL SWING GATE	
		DRAWN BY: JUAREZ SCALE: AS SHOWN DATE: 5-9-95	CHECKED APPROVED
ISSUE 1 A.J. 4-4-95	ISSUE 2 REV. 10-15-04 A.J.	ISSUE 3	



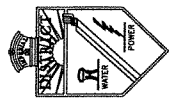
**3-D VIEW**  
 SCALE: N.T.S.

ACAD REV.12 DK11-11S1089A

SHEET 2 OF 2

IMPERIAL IRRIGATION DISTRICT  
 IMPERIAL CALIFORNIA  
 WATER DEPARTMENT

TYPICAL CANAL SWING GATE  
 HINGE DETAILS



ISSUE 3	REV. 10-15-04 A.J.	4-4-95 A.J.
ISSUE 2		
ISSUE 1		

DRAWN A. JUAREZ SCALE AS SHOWN DATE 5-9-95  
 CHECKED  
 APPROVED  
 DWG. No. 11S-1089

**HINGE DETAIL**  
 SCALE: 1" = 1"